

## Detection of draining attacks in Wireless Ad Hoc Sensor Networks

M. N. Praneswara Rao <sup>1</sup>, S.Reshma <sup>2</sup>

<sup>1</sup> M.Tech, Assistant professor of Rajeev Gandhi Memorial College of Engineering & Technology, Nandyal, Andhra Pradesh, India.

<sup>2</sup> MCA, Rajeev Gandhi Memorial College of Engineering & Technology, Nandyal, Andhra Pradesh, India.

**Abstract**—Wireless Sensor Networks came into prominence around the start of this millennium motivated by the omnipresent scenario of small-sized sensors with limited power deployed in large numbers over an area to monitor different phenomenon. The sole motivation of a large portion of research efforts has been to maximize the lifetime of the network, where network lifetime is typically measured from the instant of deployment to the point when one of the nodes has expended its limited power source and becomes in-operational – commonly referred as first node failure. Over the years, research has increasingly adopted ideas from wireless communications. In this paper we consider how routing protocols, affect from attack even those designed to be secure, lack protection from these attacks, which we call Vampire attacks, which permanently disable networks by quickly draining nodes' battery power. These “Vampire” attacks are not specific to any specific protocol which are devastating, difficult to detect, and are easy to carry out using as few as one malicious insider sending only protocol compliant messages. We proposed a EWMA method to bound the damage caused by these vampire types of attacks during the packet forwarding phase.

**Keywords**—Ad Hoc sensor networks, Energy consumption, Routing, Security.

### I. INTRODUCTION

Wireless Sensor Network (WSN) consists of mostly tiny, resource-constraint, simple sensor nodes, which communicate wirelessly and form ad hoc networks in

order to perform some specific operation. Due to distributed nature of these networks and their deployment in remote areas, these networks are vulnerable to numerous security threats that can adversely affect their proper functioning. Simplicity in WSN with resource constrained nodes makes them very much vulnerable to variety of attacks. The attackers can eavesdrop on its communication channel, inject bits in the channel, replay previously stored packets and much more. An adversary can easily retrieve valuable data from the transmitted packets that are sent (Eavesdropping). That adversary can also simply intercept and modify the packets' content meant for the base station or intermediate nodes (Message Modification), or retransmit the contents of those packets at a later time (Message Replay). Finally, the attacker can send out false data into the network, maybe masquerading as one of the sensors, with the objectives of corrupting the collected sensors' reading or disrupting the internal control data (Message Injection). Securing the WSN needs to make the network support all security properties: confidentiality, integrity, authenticity and availability. Attackers may deploy a few malicious nodes with similar or more hardware capabilities as the legitimate nodes that might collude to attack the system cooperatively. The attacker may come upon these malicious nodes by purchasing them separately, or by "turning" a few legitimate nodes by capturing them and physically overwriting their memory. Also, in some cases colluding nodes might have high-quality communications links available for coordinating their attack. The sensor nodes may not be tamper resistant and

if an adversary compromises a node, it can extract all key material, data, and code stored on that node. As a result, WSN has to face multiple threats that may easily hinder its functionality and nullify the benefits of using its services. Routing and data forwarding is a crucial service for enabling communication in sensor networks. Unfortunately, current routing protocols suffer from many security vulnerabilities. For example, an attacker might launch denial of-service attacks on the routing protocol, preventing communication. The simplest attacks involve injecting malicious routing information into the network, resulting in routing inconsistencies. Simple authentication might guard against injection attacks, but some routing protocols are susceptible to replay by the attacker of legitimate routing messages. The wireless medium is inherently less secure because its broadcast nature makes eavesdropping simple. Any transmission can easily be intercepted, altered, or replayed by an adversary. The wireless medium allows an attacker to easily intercept valid packets and easily inject malicious ones. Although this problem is not unique to sensor networks, traditional solutions must be adapted to efficiently execute on sensor networks.

**II.OVER VIEW**

The extreme resource limitations of sensor devices pose considerable challenges to resource-hungry security mechanisms. The hardware constraints necessitate extremely efficient security algorithms in terms of bandwidth, computational complexity, and memory. This is no trivial task. Energy is the most precious resource for sensor networks. Communication is especially expensive in terms of power. Clearly, security mechanisms must give special effort to be communication efficient in order to be energy efficient. The proposed scale of sensor networks poses a significant challenge for security mechanisms. Simply networking tens to hundreds of thousands of nodes has

proven to be a substantial task. Providing security over such a network is equally challenging. Security mechanisms must be scalable to very large networks while maintaining high computation and communication efficiency. Depending on the function of the particular sensor network, the sensor nodes may be left unattended for long periods of time.

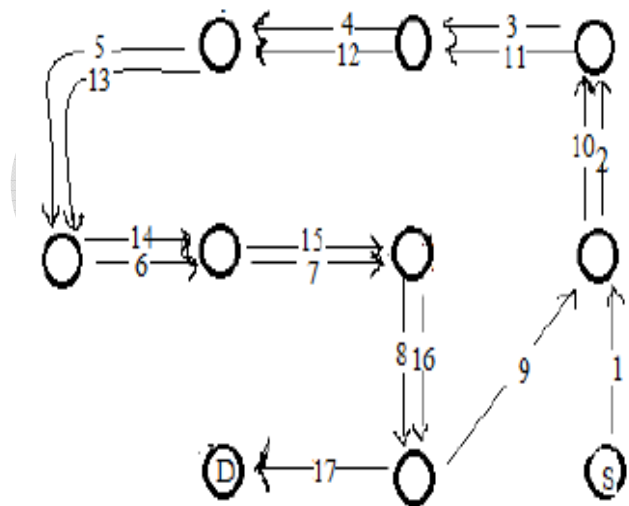


Fig. 1 An honest node would exit the loop immediately from node, but a malicious packet makes its way around the loop twice more before exiting. In our first attack, an adversary composes packets with purposely introduced routing loops. We call it the carousel attack, since it sends packets in circles as shown in Fig. 1. It targets source routing protocols by exploiting the limited verification of message headers at forwarding nodes, allowing a single packet to repeatedly traverse the same set of nodes. In our second attack, also targeting source routing, an adversary constructs artificially long routes, potentially traversing every node in the network. We call this the stretch attack, since it increases packet path lengths, causing packets to be processed by a number of nodes that is independent of hop count along the shortest path between the adversary and packet destination.

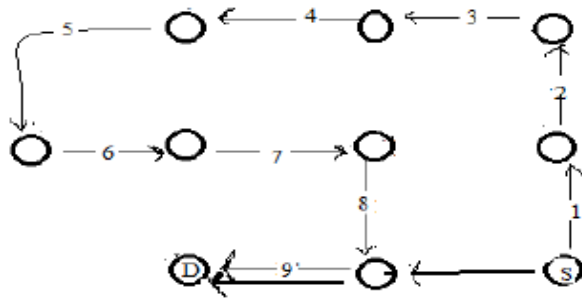


Fig.2. Honest node with thick line and malicious node with thin lines. An example is illustrated in Fig.2. Results show that in a randomly generated topology, a single attacker can use a carousel attack to increase energy consumption by as much as a factor of 4, while stretch attacks increase energy usage by up to an order of magnitude, depending on the position of the malicious node. The impact of these attacks can be further increased by combining them, increasing the number of adversarial nodes in the network, or simply sending more packets. Although in networks that do not employ authentication or only use end-to-end authentication, adversaries are free to replace routes in any overhead packets, we assume that only messages originated by adversaries may have maliciously composed routes.

### III. RELATED WORK

In this section we discuss various protocols proposed for security of wireless sensor networks by different researchers.

#### *SNEP Protocol*

SNEP protocol was designed as basic component of another protocol SPINS (Security protocol for wireless Sensor Networks) that was basically designed for secure key distribution in wireless sensor networks. SNEP define the primitives for authentication of sensor node, data confidentiality and data integrity. However the drawback of this protocol is lower data freshness. SNEP protocol uses shared counter for semantic confidentiality not initial vectors. Using SNEP the plain text is ciphered with CTR encryption algorithm. Both sender and

receivers are responsible to update the shared counter once when they sent or receive cipher blocks. Therefore sending counter in message is not important, however every message has message authentication code (MAC). This is computed from cipher data with the help of CBC-MAC algorithm. When the receiver node receives data it recomputed MAC and compared with the received MAC.

#### *REWARD*

Z. karakehayou proposed a new algorithm know as REWARD for security against black hole attack as well as malicious nodes. It works on geographic routing. There are two different kinds of broadcast messages used by REWARD. MISS message helps in the identification of malicious sensor nodes. While the second message SAMBA is used to recognize the physical location of detected black hole attacks and broadcast that location. REWARD uses broadcast inter radio behavior to observe neighbor node's transmission and detect black hole attack. Whenever any sensor misbehaves it maintain a distributed database and save its information for future use. However the main drawback of this protocol is high energy consumption.

#### *Statistical En-Route Filtering*

F. Y. Haiyon et al present a statistical en-route filtering technique to control attacks on compromised sensor nodes,

where a compromised node can easily inject wrong report in the network that cause depletion of finite resources at sensor nodes as well as causes false alarms. Statistical En-Route Filtering is able to detect and destroy such false reports in the network. For this purpose message authentication code (MAC) is used to check the validity of each message. When sensed data is forwarded toward sink node each node in the middle verify that message. Statistical En-Route Filtering relies on collective information from multiple sensor nodes.

When an event occurs the sensor nodes in the surrounding collectively generate a legitimate report that carries multiple message authentication codes (MAC's). The report is forwarded toward sink node and each node in the middle verifies the report with certain probability, when the report is found incorrect it is dropped. The probability of message incorrectness increases with number of hops. In many cases a false report may reach to a sink node where sink node will be responsible to verify it again. However this approach causes delay as well as increase communication overhead and energy consumption in resource limited networks. The effect of denial or degradation of service on battery life and other finite node resources has not generally been a security consideration, making our work tangential to the research mentioned above.

**Carousel attack:** In this attack, an adversary sends a packet with a route composed as a series of loops, such that the same node appears in the route many times. This strategy can be used to increase the route length beyond the number of nodes in the network, only limited by the number of allowed entries in the source route. An example of this type of route is in Fig.3 the thick path shows the honest path and thin shows the malicious path.

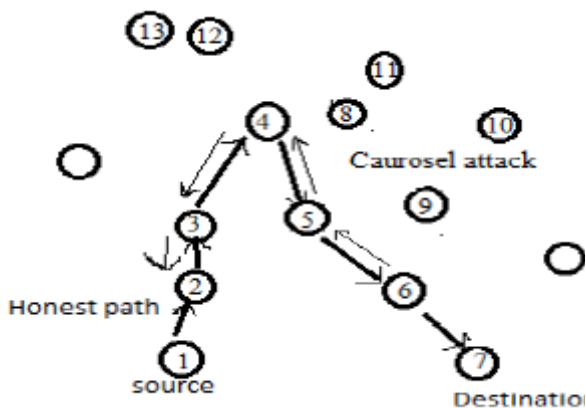


Fig. 3.shows the caurosel attack same node appears in the route many times.

**Stretch attack:** Another attack in the same vein is the stretch attack, where a malicious node constructs

artificially long source routes, causing packets to traverse a larger than optimal number of nodes. In the example given below honest path shown with thick lines and adversary or malicious path with thin lines. The honest path is very less distant but the malicious path is very long to make more energy consumption.

As expected, the carousel attack causes excessive energy usage for a few nodes, since only nodes along a shorter path are affected. In contrast, the stretch attack shows more uniform energy consumption for all nodes in the network, since it lengthens the route, causing more nodes to process the packet. While both attacks significantly network-wide energy usage, individual nodes are also noticeably affected,

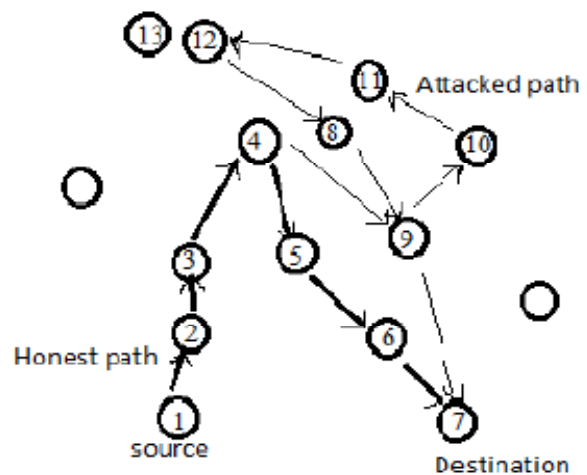


Fig.4 Shows Stretch attack with two different paths from source to destination.(4-9-10-11-12-8-9—long route). with some losing almost 10 percent of their total energy reserve per message.

#### IV.ENERGY WEIGHTED MONITORING ALGORITHM

This section focuses on the design details of our proposed protocol EWMA. Where energy of a node gets to threshold level it plays a vital role by performing energy intensive tasks there by bringing out the energy efficiency of the sensors and rendering the network endurable. This pattern based on the energy levels of the sensors.

EWMA functions two phases namely.

### **1. Network configuring phase**

#### **2. Communication phase**

**1. Network configuring phase:** The goal of this phase is to establish an optimal routing path from source to destination in the network. The key factors considered are balancing the load of the nodes and minimization of energy consumption for data communication. In this phase the node with threshold level energy (attacked node) sends ENG\_WEG message to all its surrounding nodes. After receiving the ENG\_WEG packets the surrounding nodes send the ENG\_REP message that encapsulates information regarding their geographical position and current energy level. The node upon receiving this stores it in its routing table to facilitate further computations. Now the node establishes the routing path, first it traces the next node by computing the energy required to transmit the required data packet that is suitable energy node and less distant node selected as the next forwarding node in this way it establishes the route from source to destination with suitable energy and less distant. Thus energy spent by the allotted node suitable to the data packet sent from the node in this way this algorithm avoids data packet dropping and this allotted forwarding node transmits the packets safely to the destination. This algorithm gives prime importance to achieve balancing of load in the network. The suitable energy node will be assigned as a forwarding node as long as this node as this node has the capacity to handle. In this way a multi hop minimal less distant path is established to bound the network damage from vampire attack. EWMA avoids the collapsing of entire network by dropping the packets in the network. The load is evenly balanced depending upon the capacity of the nodes. In this way multi hop load balanced network is achieved.

**2. Communication Phase:** The main job of communication phase is to avoid the same data packets transmitting through the same node repeatedly to deplete the batteries fastly and leads to network death because of vampire attacks. The process of repeating the packets is eliminated by aggregating the data transmitting within the forwarding node and route the remaining packets safely to the destination. The data aggregation is achieved by first copying the content of the packet that is transmitting through the node. This copied content compares with the data packet that is transmitting through the node if the transmitted packet is same the node stops the data packet transmitting through them. In this way it avoids the redundant packets transmitting through the same node again and protect the depletion of batteries fastly. Then send the required data packets through the established node safely to the destination. The flow chart of the algorithm is given below in fig.6.

#### **Average Energy Consumption for varying message lengths**

The average energy consumption of the network with variable packet size. In the data communication phase transmitting data at varying message lengths of 8kbits/packet and 10kbits/packet respectively. From the plot it is observed that when message length is 8kbits/packet the energy is less than 1J and the energy consumption is greater than 1J when packet size is 10kbits/packet. That is when the message length is increased the average energy consumption of the sensor network is more. This is quite obvious because of greater overhead involved in aggregating and transmitting a larger sized packet or message. A message length of 8kbits/packet as lesser length message may not be in a position to carry out the desired task and a larger length may unnecessary contribute to addition overhead which can degrade the performance of the network.

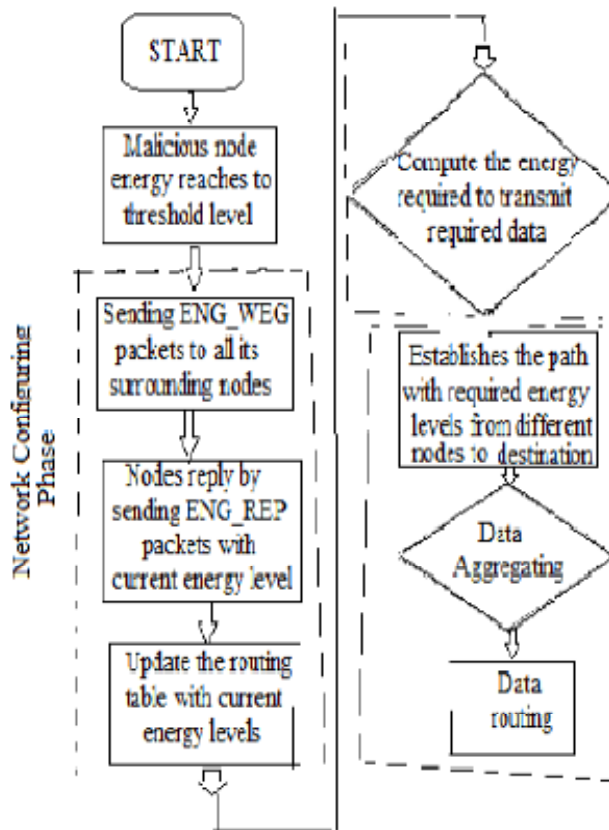


Fig.6.EWMA Algorithm flow chart.

## V.CONCLUSION

In this paper, we defined Vampire attacks, a new class of resource consumption attacks that use routing protocols to permanently disable ad hoc wireless sensor networks by depleting nodes' battery power. These attacks do not depend on particular protocols or implementations, but rather expose vulnerabilities in a number of popular protocol classes. We showed a number of proof-of-concept attacks against representative examples of existing routing protocols using a small number of weak adversaries, and measured their attack success on a randomly generated topology of 30 nodes. Simulation results show that depending on the location of the adversary, network energy expenditure during the

forwarding phase increases. Theoretical worst case energy usage can increase by as much as a factor of  $O(N)$  per adversary per packet, where  $N$  is the network size. The sensor network routing protocol that provably bounds damage from Vampire attacks by verifying that packets consistently make progress toward their destinations. We have not offered a fully satisfactory solution for Vampire attacks during the topology discovery phase, but suggested some intuition about damage limitations possible. Derivation of damage bounds and defences for topology discovery, as well as handling mobile networks, is left for future work.

## REFERENCES

- [1] "The Network Simulator - ns-2," <http://www.isi.edu/nsnam/ns,2012>.
- [2] H. Chan and A. Perrig, "Security and Privacy in Sensor Networks," *computer*, vol. 36, no. 10, pp. 103-105, Oct. 2003.
- [3] J.-H. Chang and L. Tassiulas, "Maximum Lifetime Routing in Wireless Sensor Networks," *IEEE/ACM Trans. Networking*, vol. 12, no. 4, pp. 609-619, Aug. 2004.
- [4] J. Deng, R. Han, and S. Mishra, "Defending against Path-Based DoS Attacks in Wireless Sensor Networks," *Proc. ACM Workshop Security of Ad Hoc and Sensor Networks*, 2005.
- [5] L.M. Feeney, "An Energy Consumption Model for Performance Analysis of Routing Protocols for Mobile Ad Hoc Networks," *Mobile Networks and Applications*, vol. 6, no. 3, pp. 239-249, 2001.
- [6] J.R. Douceur, "The Sybil Attack," *Proc. Int'l Workshop Peerto- Peer Sys*.

## BIOGRAPHY

### Author 1: Details



M. N. Praneswara Rao is working as Assistant professor of Rajeev Gandhi Memorial College of Engineering & Technology, Nandyal, Andhra Pradesh, India. He has received B.E Degree in Computer Science and Engineering and his M.Tech in Computer Science and Engineering. His main research interest includes Networking. Mail: [pranenaga@gmail.com](mailto:pranenaga@gmail.com)



S. Reshma, received MCA degree from Jawaharlal Nehru Technological University, Anantapur. Mail: [Shaikreshma53@gmail.com](mailto:Shaikreshma53@gmail.com)